



WECHAT



WEB

Welcome to HEARKEN

Actuators and Controls

**Hearken
Here We
Can**

The Trusted, Passionate and focused Partner in Valve Automation

At HEARKEN FLOW, The founding principle of Hearkenflow is simple: to Listen our customers needs first, to develop the innovative valve actuators solutions , to meet the unique needs of our customers, Along the way, To help our customers to solve the problems in Valve Automation. We are growing our brand in Pneumatic and Electric Actuators, Accessories..



IP68



Experienced team



Large inventory



Convenient consultation

WHY WE ARE DIFFERENT

We offer a complete valve automation solution by the applications experience and customization capabilities, with an experienced support team to guide you in selection, installation, and project support. In addition we maintain an extensive supply of product inventory on hand so that we can quickly fulfill orders and reduce wait times. Our sales and support staff are readily available and accessible so that customers get the answers they need quickly.

THE TARGET WE ARE PURSUING



High-quality



low cost



Reliable solution

- To built A strong Reputation in Providing Quality, Cost Effective , Reliable And Robust Performance Solutions for Valve Automation,
- Included Pneumatic Actuators, Electrically Actuators, Actuated Valves.



COMMITMENT TO QUALITY

At HEARKEN FLOW means performance, All products manufactured by HEARKEN FLOW are warranted against defects in material and workmanship for a period of 18 months from the day of startup. Each of our products are tested at the factory. we are confident that our products meet or exceed all applicable standards before they ever leave our facility. We are an ISO 9001-2008 certified company. Our Valve Actuators Has Applied for SIL3 Certificate, ATEX Certificate ,CE,Explosion-proof Certificate, IP68 Weather proof etc....

HEARKEN FLOW

Exceed your expectations for Valve Automation.

HDM Manual Override

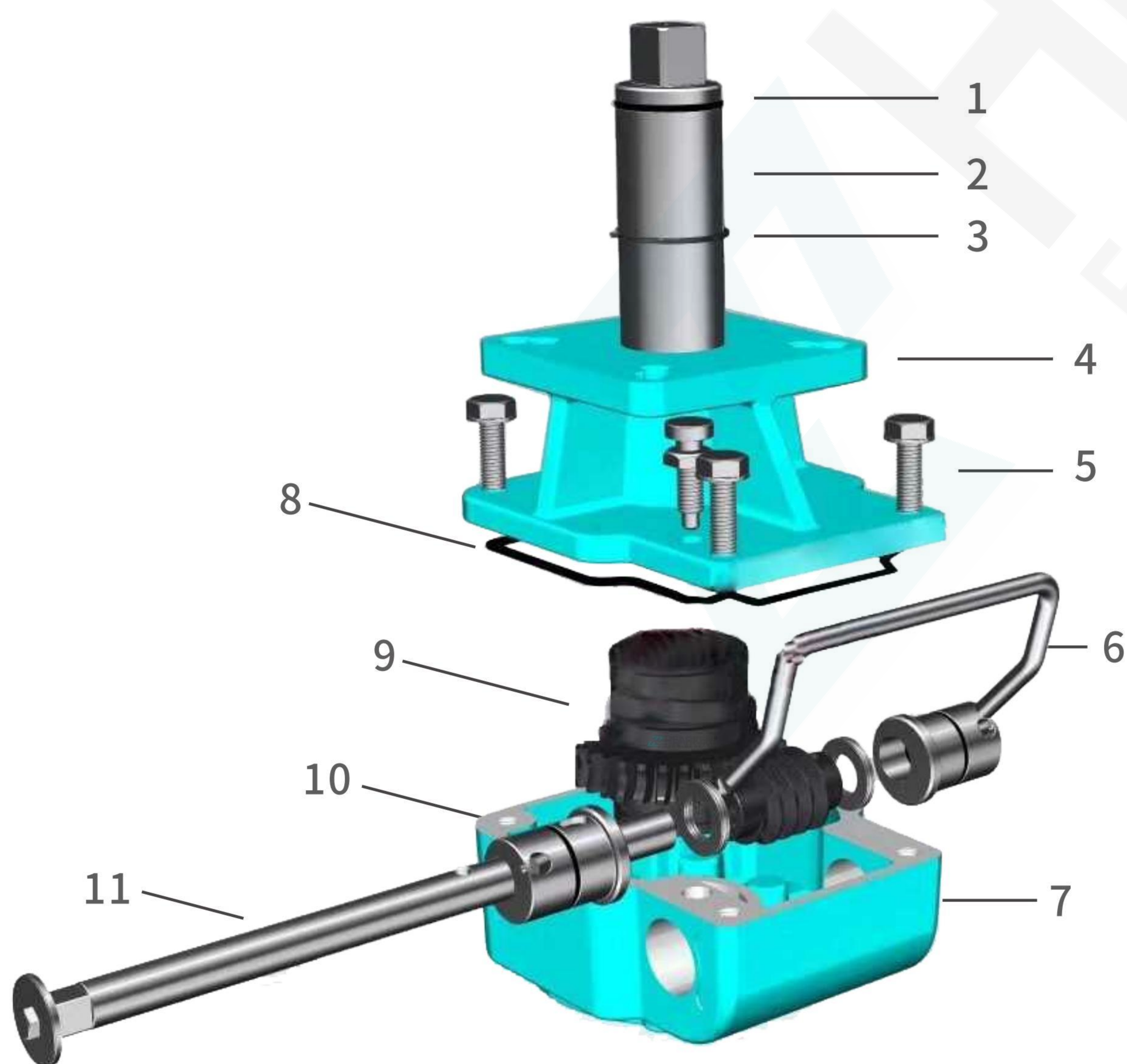
Description

HDM De-clutchable wormgear offers simple and reliable manual positioning of the valves, dampers and other quarter-turn devices when overriding existing pneumatic, electric or hydraulic

quarter-turn actuators. All unit are suitable for both indoor and outdoor installation. The modular design is to provide the most efficient and effective solution to a full range of manual overriding requirements.

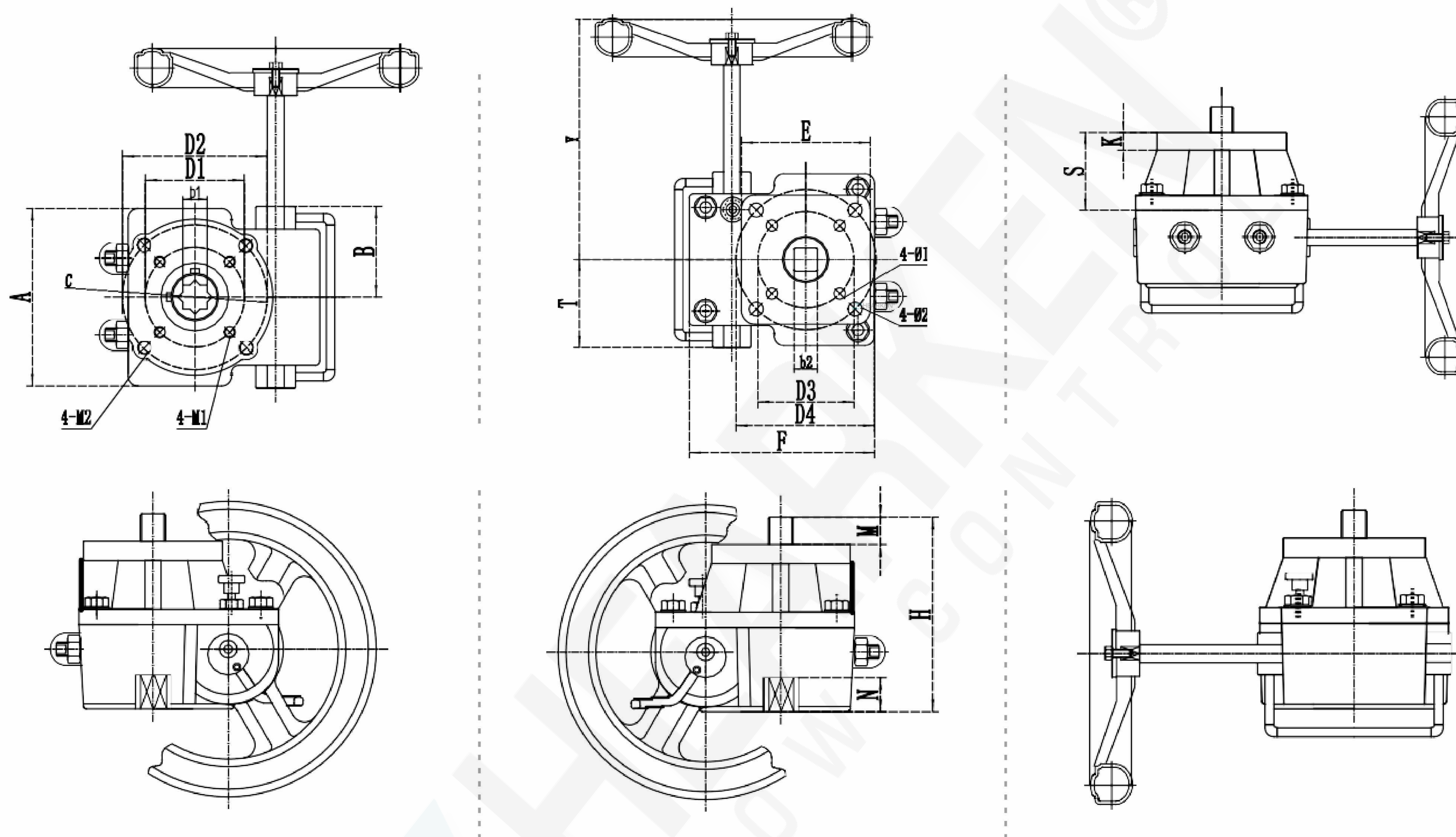
Main Product features

- To engage manual operation, first pull out the lock handle and then rotate the clutch lever in anti-clockwise direction until engagement takes place. To return to automatic mode, first pull out the lock handle and then rotate the clutch lever in clockwise



No.	Name	Material
1	Shaft	45# Steel
2	Seal Ring	EPDM
3	Snap Spring	Spring Steel
4	Upper End Cap	Aluminium Die Casting
5	Screw	304
6	Pull Rod	304
7	Body	Aluminium Die Casting
8	Seal Ring	EPDM
9	Gear	QT500
10	Reducing Sleeve	QT400
11	Worm	Qt400

Model	Pneumatic Actuator Cylinder diameter Double Acting	Pneumatic Actuator Cylinder diameter Single Acting
HDM-1	HPA052DA—HPA092DA	HPA052SR—HPA092SR
HDM-2	HPA092DA—HPA105DA	HPA083SR—HPA105SR
HDM-3	HPA125DA—HPA160DA	HPA105SR—HPA125SR
HDM-4	HPA190DA—HPA210DA	HPA140SR—HPA160SR
HDM-5	HPA240DA	HPA190SR—HPA210SR
HDM-6	HPA270DA—HPA300DA	HPA240SR—HPA270SR



Remark: The bottom center of the HDM-4 is either F10/F14 or F10/F12

New Manual Override	Countershaft				Valve Connection				Actuator Connection				
	b1	N	b2	M	D1	4-M1	D2	4-M2	E	D3	4-Φ1	D4	4-Φ2
HDM-1	14	22	14	16	Φ50	4-M6	Φ70	4-M8	70*70	Φ50	4-Φ6.5	Φ70	4-Φ8.5
HDM-2	17	22	17	18	Φ70	4-M8	Φ102	4-M10	95*95	Φ70	4-Φ8.5	Φ102	4-Φ10.5
HDM-3	22	28	22	22	Φ102	4-M10	Φ125	4-M12	114*114	Φ102	4-Φ10.5	Φ125	4-Φ12.5
HDM-4	27	32	27	30	Φ102	4-M10	Φ125	4-M12	129*129	Φ125	4-Φ12.5	Φ140	4-Φ16.5
HDM-5	36	45	36	38	Φ140	4-M16	/	/	156*156	Φ140	4-Φ17	Φ165	4-Φ21
HDM-6	46	50	46	48	Φ165	4-M20	/	/	160*160	Φ165	4-Φ22	/	/

New Manual Override	A	B	ΦC	F	T	Y	H	S	K	Ratio	Rated Input	Rated Output
HDM-1	90	55	Φ88	115	44	145	120	53	10	26:1	Nm	250Nm
HDM-2	125	64	Φ110	135	62.5	178	133	56.5	13	28:1	Nm	450Nm
HDM-3	140	71	Φ129	166	70	212	180	68.7	12.5	38:1	Nm	700Nm
HDM-4	188.5	93	Φ174	202	94	280	195	84	15	54:1	Nm	1200Nm
HDM-5	222	110	Φ205	245	110	315	225	92	15	80:1	Nm	2000Nm
HDM-6	252	120	Φ275	280	125	320	252	102	15	78:1	Nm	3000Nm

Copyright ownership belongs to shall not be reproduced, copied, or used in other ways without permission otherwise we will have the right to pursue legal responsibilities.